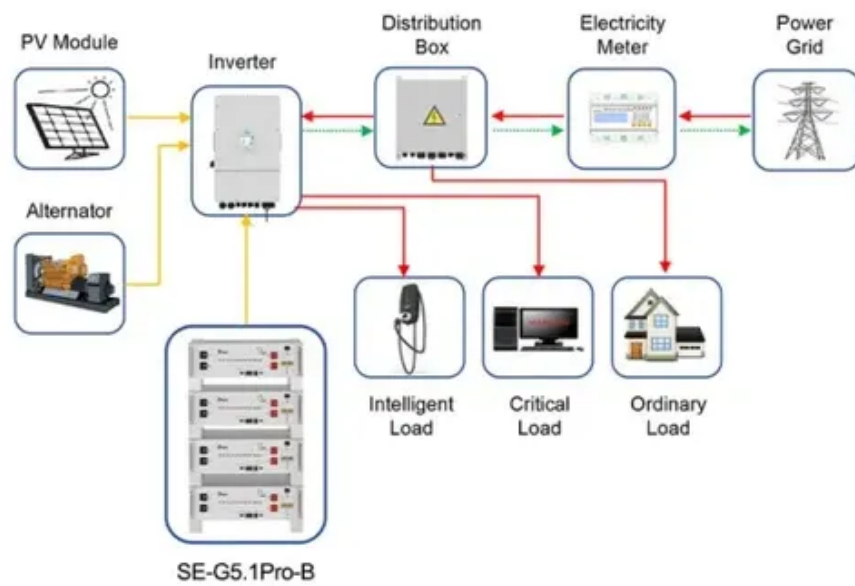




# Belgrade reduced carbon emissions



Application scenarios of energy storage battery products





## Overview

---

In 2023, Belgrade Airport demonstrated its dedication to sustainable practices by achieving a 39% reduction in scope 1 and 2 carbon emissions compared to 2018. This international carbon reduction certification demonstrates Belgrade Airport's ongoing commitment to VINCI Airports' environmental strategy, which targets a 67% reduction in its carbon footprint by 2030 (compared to 2018) for scopes 1 & 2, while also engaging stakeholders in the decarbonization. Belgrade Nikola Tesla Airport, proudly part of the VINCI Airports network since 2018, has reached an impressive milestone by achieving Level 3 in the Airport Carbon Accreditation (ACA) program, an initiative by the Airport Council International (ACI). To remediate one of the world's most polluting dumpsites spanning 40 hectares near the Danube River,<sup>1</sup> the City of Belgrade created the Beo.



## Belgrade reduced carbon emissions

---



### Innovations reduce CO2 emissions and increase Serbia's resilience to

These solutions were implemented thanks to the support of the Global Environment Facility (GEF) and will help reduce greenhouse gas emissions in Serbia by 500,000 tonnes of CO<sub>2</sub>, ...

### Serbian airport installs 3K Solar Panels to generate 1.13M kWh of ...

The Belgrade Airport group says it can decrease the airport's Scope 1 and 2 (direct and indirect) carbon dioxide emissions by 900 metric tons per year. It's fitting that an airport named for ...



### Belgrade Nikola Tesla Airport Achieves Level 3 Optimisation in

Operated by VINCI Airports, Belgrade Nikola Tesla Airport is fully committed to ambitious sustainability targets, aiming to halve its carbon footprint by 2030 and achieve net zero CO<sub>2</sub> ...

### [Belgrade Airport upgrades carbon accreditation](#)

Belgrade Airport aims to halve its carbon footprint by 2030 and achieve net zero CO<sub>2</sub> emissions by 2050. The airport has undertaken transformative initiatives to achieve these goals, ...



## Belgrade Nikola Tesla Airport Breaks New Ground in Environmental

In 2023, Belgrade Airport demonstrated its dedication to sustainable practices by achieving a 39% reduction in scope 1 and 2 carbon emissions compared to 2018.



## Sustainable development , Aerodrom Nikola Tesla Beograd

This system increases heating efficiency by approximately 25% and reduces carbon footprint by 25%. This power plant enables Belgrade Airport meet more than 70% of its electricity needs from its own ...



## Belgrade in focus: challenges and solutions for sustainable urban

Similar renovation measures are expected to deliver energy savings of 46-86% and reduce CO2 emissions by 41-74%. The tender was announced in May 2023, and construction began ...



## Net Zero Carbon Cities



The project is certified to reduce Belgrade's greenhouse gas emissions by 210,000 tons of CO2 annually. In addition to the environmental impact, the project is creating jobs, upskilling workers and ...



## **Belgrade Airport achieves key new steps toward decarbonization and**

In 2023, Belgrade Airport successfully reduced its scope 1 and 2 carbon emissions by 39%, compared to 2018. In just 5 years since joining the Airport Carbon Accreditation program, and ...

## **Belgrade Nikola Tesla Airport Takes Green Strides with New Energy ...**

The transition from heavy fuels to natural gas results in a commendable 25% reduction in the airport's carbon footprint, equivalent to curbing 3,000 tonnes of carbon dioxide emissions.





## Contact Us

---

For catalog requests, pricing, or partnerships, please visit:

<https://www.id2market.eu>

Phone: +34 910 56 87 45

Email: [info@id2market.eu](mailto:info@id2market.eu)

Scan the QR code to access our WhatsApp.

