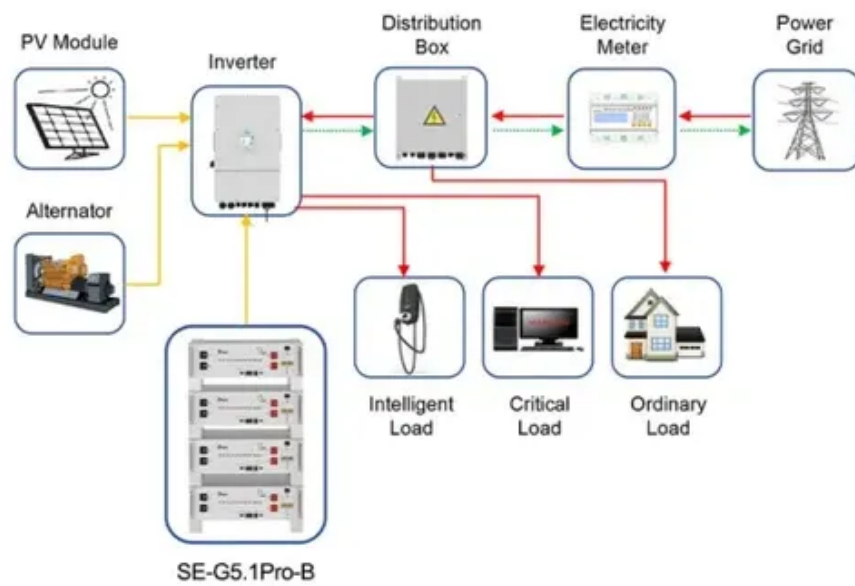




Georgia load shifting



Application scenarios of energy storage battery products





Overview

January 23, 2025 - (ATLANTA) The Georgia Public Service Commission voted unanimously on Thursday to approve a new rule that allows Georgia Power to charge new data centers in a manner that will protect ratepayers from cost shifting. The new rule approved Thursday derives from the Public Service. Georgia Power has filed nearly 2 gigawatts of new customer contracts with the Georgia Public Service Commission (PSC), marking a major milestone for the state's energy landscape. These agreements are the first to be reached under the Georgia PSC's newly approved rules and regulations, which are. In late 2023 and early 2024, the murmur among data center operators was that the industry would need to start taking steps to improve its energy usage efficiency, not just because it was a financially and ecologically responsible thing to do, but if the industry didn't start taking that. ATLANTA - Georgia energy regulators voted Thursday to put some guardrails around the proliferation of power-hungry data centers cropping up across the state.



Georgia load shifting



[Georgia Approves New Rule to Charge Data Centers for Power](#)

In Georgia Power's latest "large load economic development report" filed with the commission in November, the company forecasts demand for its electricity will continue to grow by ...

PSC Approves Rule to Allow New Power Usage Terms for Data ...

January 23, 2025 - (ATLANTA) The Georgia Public Service Commission voted unanimously on Thursday to approve a new rule that allows Georgia Power to charge new data centers in a manner ...



Large-load Georgia Power customers can be billed based on risks of

ATLANTA - Georgia energy regulators voted Thursday to put some guardrails around the proliferation of power-hungry data centers cropping up across the state.

Georgia power rate change approved to address data center energy use

Nearly 100 data centers are already established in Georgia, and officials say the amount of power they need is "staggering." The new rule allows Georgia power to charge new data centers ...



[Georgia PSC passes rule for data centers' power usage](#)

The state Public Service Commission (PSC) unanimously ...

[Georgia Power highlights first contracts under new ...](#)

Georgia Power remains in active negotiations with multiple large-load customers representing several additional gigawatts of potential demand.



New Georgia Power rates approved for data centers to address

Data centers are notorious for consuming "staggering" amounts of energy, PSC Chairman Jason Shaw said. That's why the commission unanimously voted to approve new Georgia ...



NEW RULE: GA data centers to be



charged differently than other

The rule was approved unanimously during a Thursday PSC meeting, making it so Georgia Power can "protect ratepayers from cost shifting" by charging the data centers separately.



Georgia Follows Ohio's Lead in Moving Energy Costs to Data Centers

This regulatory change reflects Georgia's proactive approach to managing the increasing energy demands associated with the state's growing data center industry, aiming to balance economic ...

[Georgia PSC passes rule for data centers' power usage](#)

The state Public Service Commission (PSC) unanimously approved a rule that allows new large-load Georgia Power customers using more than 100 megawatts of electricity to be billed ...



[Georgia Power's large load pipeline shrinks by 6 GW](#)

Georgia Power's pipeline of large load economic development projects shrank a net 6 GW from the second quarter to the third quarter to 50.9 GW due to projects that exited, the utility ...



Contact Us

For catalog requests, pricing, or partnerships, please visit:

<https://www.id2market.eu>

Phone: +34 910 56 87 45

Email: info@id2market.eu

Scan the QR code to access our WhatsApp.

