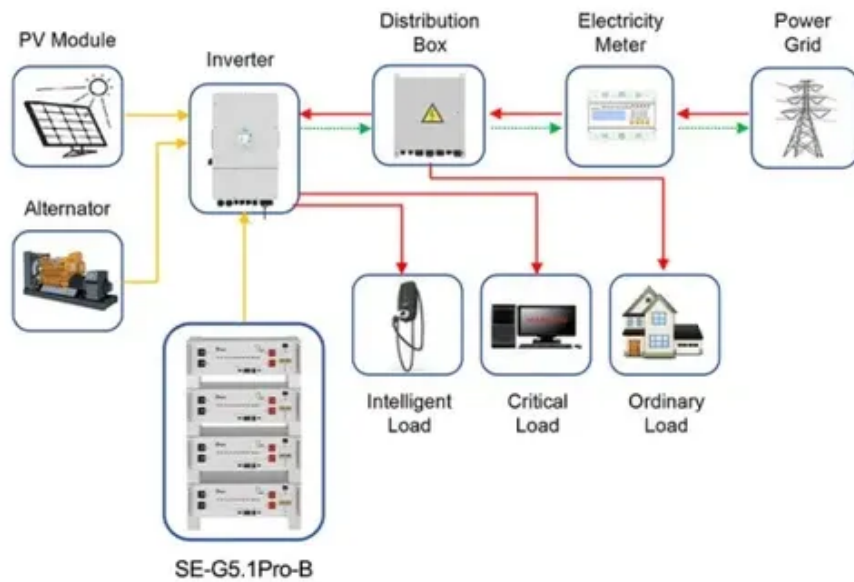




How much does a 10kW energy storage container for Southeast Asian farms cost



Application scenarios of energy storage battery products





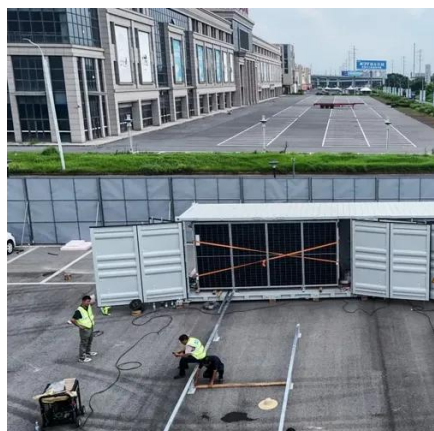
Overview

According to data made available by Wood Mackenzie's Q1 2025 Energy Storage Report, the following is the range of price for PV energy storage containers in the market:. According to data made available by Wood Mackenzie's Q1 2025 Energy Storage Report, the following is the range of price for PV energy storage containers in the market:. Description of the 10000W solar energy system: Xindun recommends 10KW off grid solar system. controller built-in, batteries, solar panel mounting brackets and associated cables. and it is the most reliable choice for global customers. Fedex/ DHL/ TNT/ UPS for samples, door-to-door. By air or. How much does an off-grid mobile energy storage container for Southeast Asian farms cost How much does an off-grid mobile energy storage container for Southeast Asian farms cost Are energy storage containers a viable alternative to traditional energy solutions?

These energy storage containers. For commercial sites, adding energy storage systems (ESS) to solar PV isn't just a “green” upgrade—it's a practical way to stabilize operations, shave peak demand, back up critical loads, and reduce diesel consumption. This article shares four field-proven configurations—from compact 5 kW setups to. The price of an energy storage container can vary significantly depending on several factors, including its capacity, technology, features, and market conditions.



How much does a 10kW energy storage container for Southeast Asian



Solar Energy Storage Container Prices in 2025: Costs, Applications ...

Explore market trends, pricing, and applications for solar energy storage containers through 2025. Learn about key cost drivers, technological advancements, and practical uses in ...

Understanding 10kW Energy Storage Battery Prices: Costs, Trends, ...

Understanding 10kW energy storage battery prices requires balancing upfront costs with long-term savings. By evaluating factors like battery chemistry, installation, and local incentives, you can make ...



How much does an off-grid mobile energy storage container for ...

Explore market trends, pricing, and applications for solar energy storage containers through 2025. Learn about key cost drivers, technological advancements, and practical uses in

How to Choose the Best Energy Storage Container: A Complete ...

Learn what to look for in an energy storage container, from capacity and safety to cost and scalability. Make the right choice for your needs.



- LiFePO₄
- Wide temp: -20°C to 55°C
- Easy to expand
- Floor mount&wall mount
- Intelligent BMS
- Cycle Life:≥6000
- Warranty :10 years



What Is The Current Average Cost Of Energy Storage Systems In 2025

In 2025, the average energy storage cost ranges from \$200 to \$400 per kWh, with total system prices varying by technology, region, and installation factors.

Energy storage systems in Southeast Asia: Four Real-World Projects ...

This article shares four field-proven configurations--from compact 5 kW setups to 10 kW off-grid cabinets--highlighting design rationale, commissioning notes, and the business impact ...



Energy Storage Container Price: Unraveling the Costs and Factors

In this article, we will explore the various aspects that influence the price of energy storage containers and provide a comprehensive understanding of their cost structure.

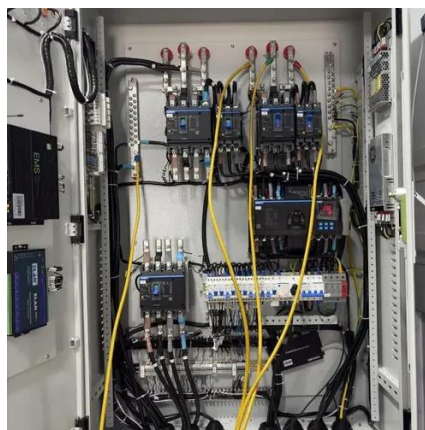
Full Package Container Kit 10kw Unit



off Grid Solar Power Energy

Description of the 10000W solar energy system:
The estimated sunshine hours are 6 hours, and the daily solar power generation capacity is 27360Wh, Xindun recommends 10KW off grid solar system.

...



Cost of 100kW Energy Storage Container for Southeast Asian ...

The price of an energy storage container can vary significantly depending on several factors, including its capacity, technology, features, and market conditions.

[Full Package Container Kit 10kw Unit off Grid Solar ...](#)

Description of the 10000W solar energy system:
The estimated ...



How Much Does Container Energy Storage Cost? A 2025 Breakdown ...

With the global energy storage market hitting a jaw-dropping \$33 billion annually [1], businesses are scrambling to understand the real costs behind these steel-clad powerhouses. But ...



Contact Us

For catalog requests, pricing, or partnerships, please visit:

<https://www.id2market.eu>

Phone: +34 910 56 87 45

Email: info@id2market.eu

Scan the QR code to access our WhatsApp.

